

# VDSL2 Master CPE POTS Splitter FOR INDOOR CUSTOMER PREMISES

# PS-36

## Description

The Wilcom Master Splitter is a passive low-pass filter designed to provide POTS service in concert with DSL technology. The device blocks high frequency (20kHz-30MHz) energy from interfering with POTS (Plain Old Telephone Service) equipment. The PS-36 employs a low-pass filter for standard voice-grade copper lines.

The Wilcom PS-36 is ideally suited for video over DSL applications such as IPTV (Internet Protocol Television) over ADSL2+ or VDSL2. The PS-36 includes **robust ring-trip protection for non-zero cross ringers to eliminate video artifacts due to pixelization.**

The PS-36 is designed to be mounted inside the customer premises near where the phone service enters the building. Two types of connection options are supported by the PS-36 splitter; a standard 6 pole terminal block with screws or RJ jacks. This allows the installer to simply connect the existing premise wiring to the PHONE jack or associated terminals on the splitter, and have POTS service up and running within minutes without expensive and time-consuming rewiring. An RJ-45 jack or associated terminals connect directly to the ATU-R/MODEM equipment with data-grade cabling.



## Features and Benefits

- **Compatible Coding Schemes**  
*The PS-36 DSL Master Splitter is compatible with all ADSL2+ & VDSL2 coding schemes*
- **Meets ITU-T and ANSI Standards**  
*The PS-36 DSL Master Splitter is fully compliant with the requirements of ANSI T1.413-1998 Annex E; ITU-T G.992.1, G.992.2 Annex E.2 Type 2 (North America) G992.5 (ADSL2+) & G.993.2 (VDSL2)*
- **RJ Jacks and Terminal Block**  
*The PS-36 DSL Master Splitter has both RJ jacks and screw type terminals for flexible wiring schemes*
- **Ring Trip Mitigation**  
*The unique design of the PS-36 also addresses specific concerns during difficult ringing and ring-trip conditions.*
- **Easily Mounted**  
*The compact DSL Master Splitter can be screwed in place or two-sided adhesive tape can be used for mounting the unit to the desired location*
- **Increased Bandwidth**  
*Supports connections to 34 MHz for the full 4096 subcarriers and data speeds of 200 Mbps.*

# Wilcom

## Specifications

### Filter Parameters

Corner Frequency	
PS-36	> 7kHz
Insertion Loss (1kHz)	< 0.25dB
30kHz Attenuation	
PS-36	> 65 dB
Attenuation Distortion (0.2kHz-3.4kHz)	< 0.25dB
Delay Distortion	< 50uSec
Return Loss (600 W + 2.16uF, typical)	
ERL	+27dB
SRL-LO	+18dB
SRL-HI	+20dB
DC Resistance	< 20 ohms
Longitudinal Balance	> 70dB

### Power

Maximum Loop Current	100mA
----------------------	-------

### Physical

Dimensions (HWD)	0.9" x 3.0" x 2.0" (23 x 76 x 51 mm)
Weight	3.2 oz. (99.53 g)

### Environment

Temperature @ (5 to 95% humidity)	
Operating	-40°C to +85°C
Storage	-40°C to +85°C

### Safety

UL Listed 1863  
ACTA Registered  
CS03 Registered

## Warranty

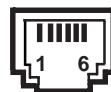
The Wilcom PS-36 Master DSL Splitter is warranted against failure for a period of three years if normal usage is observed.

## Ordering Information

Product	Part Number
PS-36 (Phone / RJ11, Modem / RJ45, Line / RJ11)	30360020
PS-36-01 (Phone / RJ11, Modem / RJ11, Line / RJ11)	30360040

### PS-36

Function	Type	Tip	Ring
Line	RJ-11	Pin 3	Pin 4
ATU-R Modem	RJ-45	Pin 4	Pin 5
Phone	RJ-11	Pin 3	Pin 4



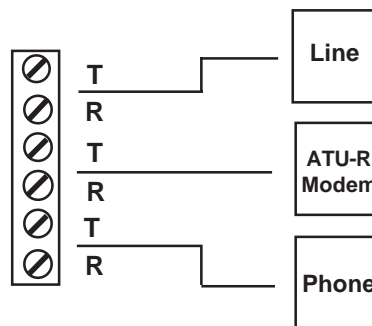
RJ-11 jack



RJ-45 jack

### PS-36-01

Function	Type	Tip	Ring
Line	RJ-11	Pin 3	Pin 4
ATU-R Modem	RJ-11	Pin 3	Pin 4
Phone	RJ-11	Pin 3	Pin 4



### NOTE:

1. Terminals and Jacks are connected in parallel.
2. Terminals are screw type and require a screwdriver.

# Wilcom

Specifications and prices are subject to change without notice.

01/07 813-330-005  
ISO - 9001:2000 Registered

P.O. Box 508, Laconia, NH 03247  
Tel: 603/524-2622 or 800/222-1898, Fax: 603/524-3735  
www.wilcominc.com