

ADSL2+ Master POTS Splitter FOR INDOOR CUSTOMER PREMISES

PS-15-I3S

Description

The Wilcom PS-15-I3S POTS Splitter is a passive low-pass filter designed to provide POTS service in concert with ADSL technology. The device blocks high frequency (20kHz-1MHz) energy from interfering with POTS equipment. The PS-15-I3S employs a low-pass filter for standard voice-grade lines.

The PS-15-I3S is designed to be mounted inside the customer premises near where the phone service enters the building. Two types of connection options are supported by the PS-15-I3S splitter; a standard 6 pole terminal block with screws or RJ jacks. This allows the installer to simply connect the existing premise wiring to the PHONE jack or associated terminals on the splitter, and have POTS service up and running within minutes without expensive and time-consuming rewiring. An RJ-45 jack or associated terminals connect directly to the ATU-R/MODEM equipment with data-grade cabling.



Features and Benefits

- **Compatible with ADSL coding schemes**
The PS-15-I3S ADSL Master POTS Splitter is compatible with all ADSL coding schemes
- **Meets ANSI T1.413 and G.992.1 - E.2**
The PS-15-I3S ADSL Master POTS Splitter is fully compliant with the requirements of ANSI T1.413-1998 Annex E; ITU-T G.992.1, G.992.2 Annex E.2 Type 2 (North America) & G992.5 (ADSL2+)
- **RJ Jacks and Terminal Block**
The PS-15-I3S ADSL Master POTS Splitter has both RJ jacks and screw type terminals for flexible wiring schemes
- **Passive Low Pass Filter**
Passive circuitry for continuous phone service in the event of an AC power failure
- **Easily Mounted**
The compact ADSL Master POTS Splitter can be screwed in place or two-sided adhesive tape can be used for mounting the unit to the desired location
- **Unlimited ADSL Bandwidth**
Full bandwidth allocation as compared to the "Micro-filters" on the market today

Wilcom

Specifications

Filter Parameters

Corner Frequency	
PS-15-I3S	> 7kHz
Insertion Loss (1kHz)	< 0.25dB

30kHz Attenuation	
PS-15-I3S	> 65 dB

Attenuation Distortion (0.2kHz-3.4kHz)	< 0.25dB
Delay Distortion	< 50uSec

Return Loss (600 W + 2.16uF, typical)	
ERL	+27dB
SRL-LO	+18dB
SRL-HI	+20dB
DC Resistance	< 20 W
Longitudinal Balance	> 70dB

Power

Maximum Loop Current	100mA
----------------------	-------

Physical

Dimensions (HWD)	0.9" x 3.0" x 2.0"
	(23 x 76 x 51 mm)
Weight	2.6 oz. (73.70 g)

Environment

Temperature @(5 to 95% humidity)	
Operating	-40°C to +70°C
Storage	-40°C to +70°C

Safety

UL listed to U.S. and Canadian Safety Standards

Warranty

The Wilcom PS-15-I3S & PS-15-01-I3S POTS Splitters are warranted against failure for a period of three years if normal usage is observed.

**ISO-9001:2000
Registered**

Specifications and prices are subject to change without notice.

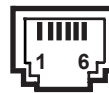
05/05
812-988-003

Ordering Information

<u>Product</u>	<u>Part Number</u>
PS-15-I3S	30150030
PS-15-01-I3S (uses all RJ-11 jacks)	30150040

PS-15/I3S

Function	Type	Tip	Ring
Line	RJ-11	Pin 3	Pin 4
ATU-R Modem	RJ-45	Pin 4	Pin 5
Phone	RJ-11	Pin 3	Pin 4



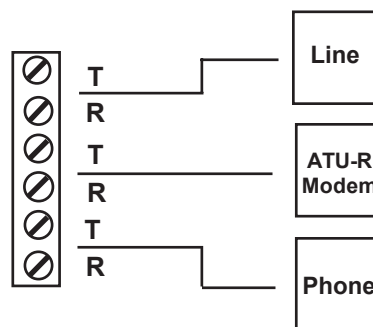
RJ-11 jack



RJ-45 jack

PS-15-01/I3S

Function	Type	Tip	Ring
Line	RJ-11	Pin 3	Pin 4
ATU-R Modem	RJ-11	Pin 3	Pin 4
Phone	RJ-11	Pin 3	Pin 4



NOTE:

1. Terminals and Jacks are connected in parallel.
2. Terminals are screw type and require a screwdriver.

Wilcom

P.O. Box 508, Laconia, NH 03247
Tel: 603/524-2622 or 800/222-1898, Fax: 603/524-3735
www.wilcominc.com